

# Basic Bench

Gonzalo Milá, Miguel Milá. 2020

Urbidermis



## Description

The Basic bench encapsulates our thinking about wise use of materials. With an elegant appearance it meets comfort, lightness and durability needs. It is a bench for outdoor use, with carefully considered and simple details. Three subtle profiles of thermo lacquered extruded aluminium fixed by butt joint into two symmetrical support structures simultaneously form the seat and backrest. The Basic family comprises a bench, banquette and table. They are elements for residential outdoor areas designed to be easily moved and resistant to intensive climates and usage.

## Materials

Primed and thermo lacquered EN-AC-43000 die-cast aluminium structures. Seat and backrest made from 198 x 37 mm primed and thermo lacquered 6063-T5 extruded aluminium slats. Pavement support bases made from black PA6 polyamide.

## Installation

The element does not require installation. Installation and assembly instructions as well as screws and support bases are included.

## Maintenance

No maintenance required. Clean with a soft cloth; do not use ammonia products, solvents or abrasives.

## Delivery

No maintenance required. Clean with a soft cloth; do not use ammonia products, solvents or abrasives.

## Regulations

UNE EN 12727 , NF P99-610, UNE EN 581, UNE 41510, UNE 170001-1, UNE ISO 21542, UNE EN ISO 7599 ,ISO 12944, UNE EN ISO 9227, ISO 12944.

All technical specifications are subject to industrial tolerances.  
Latest information: [urbidermis.com](http://urbidermis.com)

## Finishes



Brown



Green



Blue



Orange



Yellow



White

\*The colours shown are merely indicative and may differ from reality. (Other colours on request)

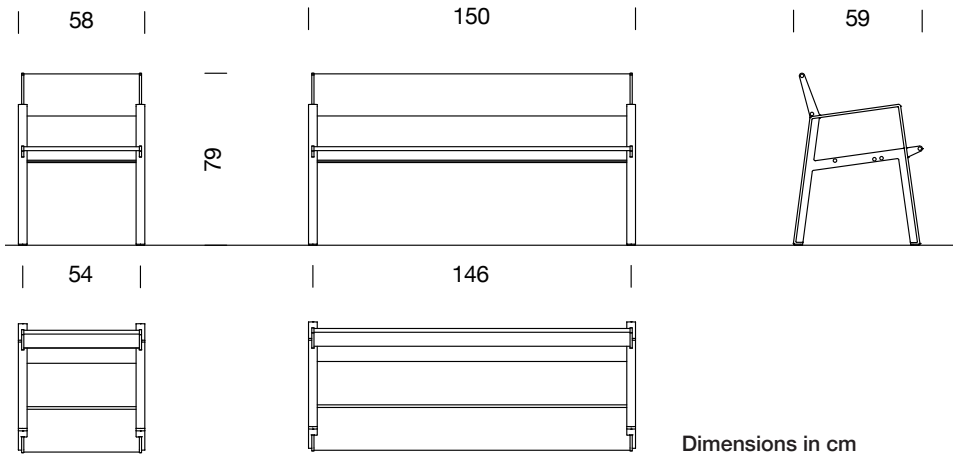
## Weights kg [lb] (unpacked)

Chair 0.6 m: 13 kg  
Bench 1.5 m: 26 kg

# Basic Bench

Gonzalo Milá, Miguel Milá. 2020

Urbidermis



Sede Parc de Belloch  
Ctra. C-251, Km 5,6  
E-08430 La Roca (Barcelona, España)  
+34 938 619 100



Almacén  
Carrer del Fou. Polígono Industrial Sud  
E-08440 Cardedeu (Barcelona, España)  
+34 938 619 182

# Basic Banquette

Gonzalo Milá, Miguel Milá. 2020

Urbidermis



## Materials

Primed and thermo lacquered EN-AC-43000 die-cast aluminium structures. Seat made from 198 x 37 mm primed and thermo lacquered 6063-T5 extruded aluminium slats. Pavement support bases made from black PA6 polyamide.

## Installation

The element does not require installation. Installation and assembly instructions as well as screws and support bases are included.

## Maintenance

No maintenance required. Clean with a soft cloth; do not use ammonia products, solvents or abrasives.

## Delivery

No maintenance required. Clean with a soft cloth; do not use ammonia products, solvents or abrasives.

## Regulations

UNE EN 12727, NF P99-610, UNE EN 581, UNE 41510, UNE 170001-1, UNE ISO 21542, UNE EN ISO 7599, ISO 12944, UNE EN ISO 9227, ISO 12944.

All technical specifications are subject to industrial tolerances.  
Latest information: [urbidermis.com](http://urbidermis.com)

## Finishes



Brown



Green



Blue



Orange



Yellow



White

\*The colours shown are merely indicative and may differ from reality. (Other colours on request)

## Weights kg [lb] (unpacked)

Chair 0.6 m: 13 kg

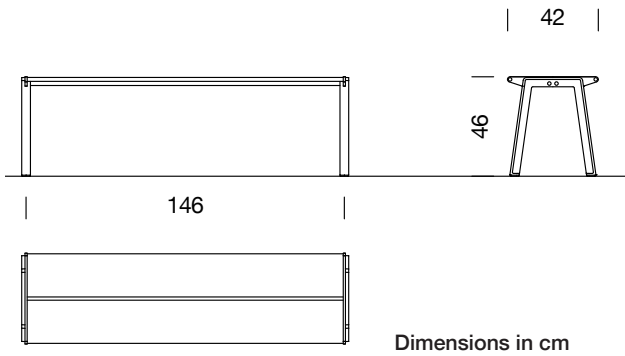
Bench 1.5 m: 26 kg



# Basic Banquette

Gonzalo Milá, Miguel Milá. 2020

Urbidermis



Sede Parc de Belloch  
Ctra. C-251, Km 5,6  
E-08430 La Roca (Barcelona, España)  
+34 938 619 100



Almacén  
Carrer del Fou. Polígono Industrial Sud  
E-08440 Cardedeu (Barcelona, España)  
+34 938 619 182

# Basic Table

Gonzalo Milá, Miguel Milá. 2020

Urbidermis



## Description

The Basic table showcases the same ergonomic and material qualities of the Basic family: comfort, weightlessness and durability. It is a robust and comfortable outdoor table for use in communal private, work and leisure spaces. The element is expressed by means of four profiles of thermo lacquered extruded aluminium fixed by butt joint into two symmetrical support structures. It defines a table with a broad tabletop, suitable for working, meetings or enjoying outdoor areas.

## Materials

Primed and thermo lacquered EN-AC-43000 die-cast aluminium structures. Seats and tabletop made from 198 x 37 mm primed and thermo lacquered 6063-T5 extruded aluminium slats. Pavement support bases made from black PA6 polyamide.

## Installation

The element does not require installation. Installation and assembly instructions as well as screws and support bases are included.

## Maintenance

No maintenance required. Clean with a soft cloth; do not use ammonia products, solvents or abrasives.

## Delivery

No maintenance required. Clean with a soft cloth; do not use ammonia products, solvents or abrasives.

## Regulations

UNE EN 12727 , NF P99-610, UNE EN 581, UNE 41510, UNE 170001-1, UNE ISO 21542,  
UNE EN ISO 7599 ,ISO 12944, UNE EN ISO 9227, ISO 12944.

All technical specifications are subject to industrial tolerances.  
Latest information: [urbidermis.com](http://urbidermis.com)

## Finishes



Brown



Green



Blue



Orange



Yellow



White

\*The colours shown are merely indicative and may differ from reality. (Other colours on request)

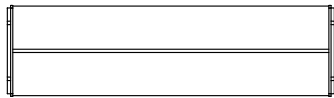
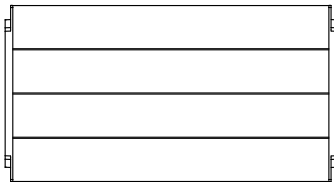
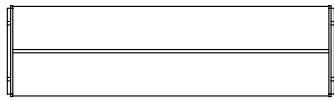
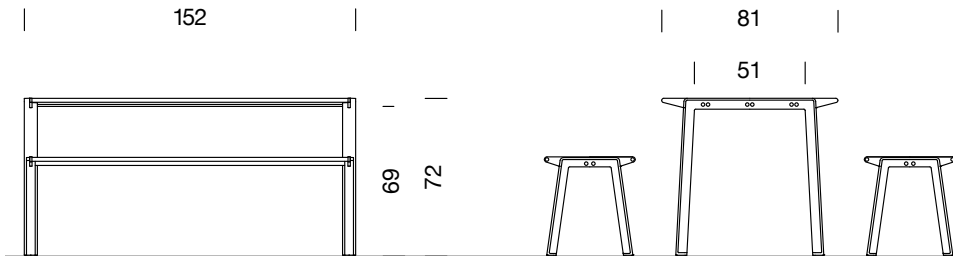
## Weights kg [lb] (unpacked)

Banquette 0.6 m: 8 kg  
Banquette 1.5 m: 17 kg  
Table 1.5 m: 32 kg

# Basic Table

Gonzalo Milá, Miguel Milá. 2020

Ūrbidermis



Dimensions in cm



Sede Parc de Belloch  
Ctra. C-251, Km 5,6  
E-08430 La Roca (Barcelona, España)  
+34 938 619 100



Almacén  
Carrer del Fou. Polígono Industrial Sud  
E-08440 Cardedeu (Barcelona, España)  
+34 938 619 182